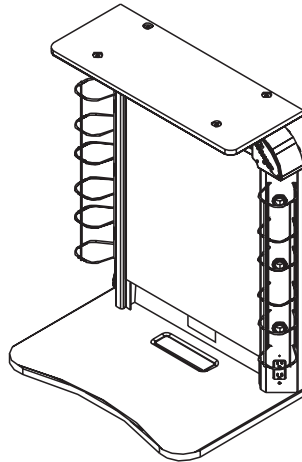
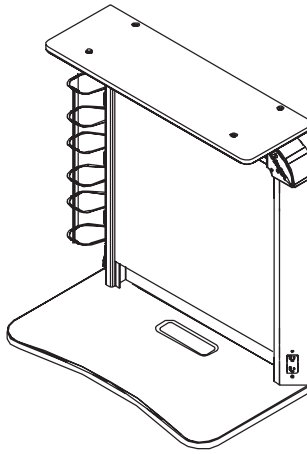


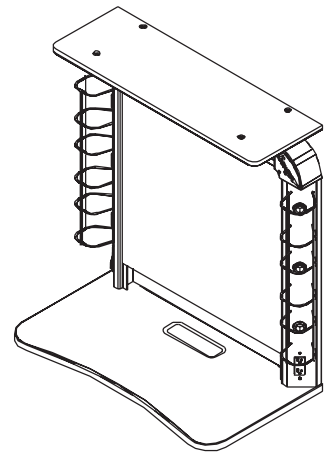
**5-light 30" (762 mm)  
 Studio Makeup Station**



**8-light 30" (762 mm)  
 Studio Makeup Station**



**6-light 36" (914 mm)  
 Studio Makeup Station**



**9-light 36" (914 mm)  
 Studio Makeup Station**

## Contents

Important User Information . . . . .	2	Storage Shelf . . . . .	10
Safety Precautions . . . . .	3	Tackboard 36" (914 mm) Model Only . . . . .	11
Installation . . . . .	3	Accessories . . . . .	11
General Use . . . . .	4	Maintenance . . . . .	12
Maintenance . . . . .	4	Broken Mirror Replacement . . . . .	12
User Instructions . . . . .	5	GFCI Test . . . . .	14
Intended Use . . . . .	5	Lighting . . . . .	14
Lighting . . . . .	6	Cleaning . . . . .	14
Electric Receptacle . . . . .	8	Replacement Parts . . . . .	15
Mirror . . . . .	9	Studio Makeup Station Main Assembly . . . . .	15
Counter . . . . .	9	Studio Makeup Station Additional Parts . . . . .	16



Visit the Studio Makeup Station web page at [wengercorp.com](http://wengercorp.com) for more information.

**Note:** Please read and understand these instructions before proceeding.  
**Note:** If you need additional information, contact Wenger Corporation using the information below.

# ***Important User Information***

---

## ***General***

Copyright © 2024 by Wenger Corporation

All rights reserved. No part of the contents of this manual may be reproduced, copied, or transmitted in any form or by any means including graphic, electronic, or mechanical methods or photocopying, recording, or information storage and retrieval systems without the written permission of the publisher, unless it is for the purchaser's personal use.

Printed and bound in the United States of America.

The information in this manual is subject to change without notice and does not represent a commitment on the part of Wenger Corporation. Wenger Corporation does not assume any responsibility for any errors that may appear in these instructions.

In no event will Wenger Corporation be liable for technical or editorial omissions made herein, nor for direct, indirect, special, incidental, or consequential damages resulting from the use or defect of these instructions. The manufacturer reserves the right to change this product at any time.

The information in this document is not intended to cover all possible conditions and situations that might occur. The end user must exercise caution and common sense when assembling or installing Wenger Corporation products. If any questions or problems arise, call the Wenger Corporation at (800) 4WENGER (493-6437) or +1-507-455-4100 worldwide.

## ***Manufacturer***

The Studio® Makeup Station is manufactured by:

Wenger Corporation  
555 Park Drive  
Owatonna, MN 55060  
(800) 4WENGER (493-6437) • +1 (507) 455-4100  
wengercorp.com

## ***Part Numbers and Electrical Ratings***

- 5-light Model 187A006  
Electrical Rating 120 V, 18.5 Amps, 60 Hz
- 8-light Model 187A005  
Electrical Rating 120 V, 20.0 Amps, 60 Hz
- 6-light Model 187A002  
Electrical Rating 120 V, 19.0 Amps, 60 Hz
- 9-light Model 187A001  
Electrical Rating 120 V, 20.5 Amps, 60 Hz

The date of manufacture is engraved on the steel frame below the counter.

## ***Intended Use***

- This product is intended for indoor use in normal ambient temperature and humidity conditions – it must not be exposed to prolonged outside weather conditions.
- This product is intended to be assembled, installed and used only as described in these instructions.

## ***Warranty***

Warranty information is available at [wengercorp.com](http://wengercorp.com).

## Safety Precautions

---

Throughout this document you may find cautions and warnings which are defined as follows:

- **WARNING:** Failure to follow the instruction could result in serious injury or damage to property.
- **CAUTION:** Failure to follow the instruction could result in minor injury or damage to property.

Read and understand all of these safety instructions before any assembly, installation or use.

### **⚠ CAUTION**

*Make sure anyone assembling, installing or using this product has read and understands these instructions.*

### **⚠ CAUTION**

*Failure to comply with Warnings and Cautions in this document or on the equipment can result in damage to property or serious injury.*

### **Installation**

Each Studio Makeup Station is supplied with Installation Instructions and an Owner's Manual. Both have specific instructions, warnings, and cautions that apply to the installation and use.

### **⚠ WARNING**

- *Always make sure that anyone installing the Studio Makeup Station has read and understands these instructions.*
- *Some installation steps require that two persons work together.  
The 36" (914 mm) Studio Makeup Station weighs about 80 lb (36 kg) and the 30" (762 mm) Studio Makeup Station weighs 72 lb (33 kg) when completely assembled.  
Two people must always work together when lifting or moving the Studio Makeup Station.*
- *Never lift the completely assembled Studio Makeup Station by grasping the wire cages or the shelf, damage to the wire cages can occur. Always lift or move the station by grasping the steel frame or the mirror surround.*
- *Do not connect the Studio Makeup Station to an electrical source until the installation is complete and the mirror and counter are in place.*
- *The Studio Makeup Station must be permanently connected to a grounded wiring system by a licensed electrician.*
- *Branch circuits must always be designed by an electrical engineer and comply with electrical codes and user requirements.*
- *Always wear safety glasses and safety shoes when installing the Studio Makeup Station.*

## **Safety Precautions (continued)**

---

### **General Use**

#### **⚠ WARNING**

- *Always use the Studio Makeup Station only for its intended purpose as described in these instructions.*
- *Never splash liquids onto the lighting or onto the mirror surround.*
- *Always use only 60 watt or smaller incandescent bulbs or 15 watt swirl fluorescent bulbs.*
- *Never insert any object into the lampholders other than the recommended bulbs.*
- *Never hang cords, costumes, wigs, or flammable items near the light bulbs.*
- *Never hang anything from the light bulb cages.*
- *Never use the outlets if the ground fault current interrupt indicates a ground fault.*
- *Never exceed a total 20-ampere load on the electrical outlets.*
- *Never leave a hair dryer or a curling iron operating and unattended.*
- *Never plug hot plates or coffee machines into the makeup station electrical outlets.*
- *Never sit or stand on the Studio Makeup Station counter.*
- *Never place items heavier than 75 lb (34 kg) onto the Studio Makeup Station counter.*
- *Never place items heavier than 25 lb (11 kg) onto the Studio Makeup Station shelf.*
- *Never use the makeup station outdoors.*
- *Always provide adult supervision when children use the Studio Makeup Station.*

### **Maintenance**

#### **⚠ WARNING**

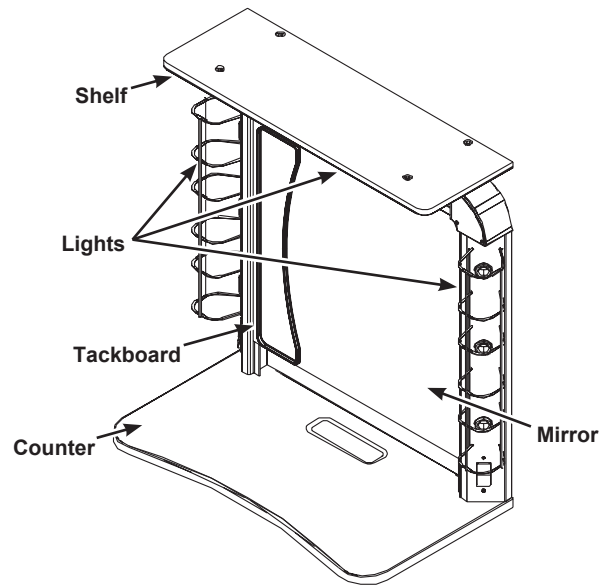
- *Always turn the light switch off before changing bulbs.*
- *Always disconnect power to the makeup station before cleaning.*
- *Do not alter the electrical circuits without the expressed permission of Wenger Corporation.*
- *Replace any broken light bulbs immediately.*
- *Replace any malfunctioning electrical components only with components with the same specification.*
- *Replace the mirror immediately if it is cracked or broken.*

# User Instructions

## Intended Use

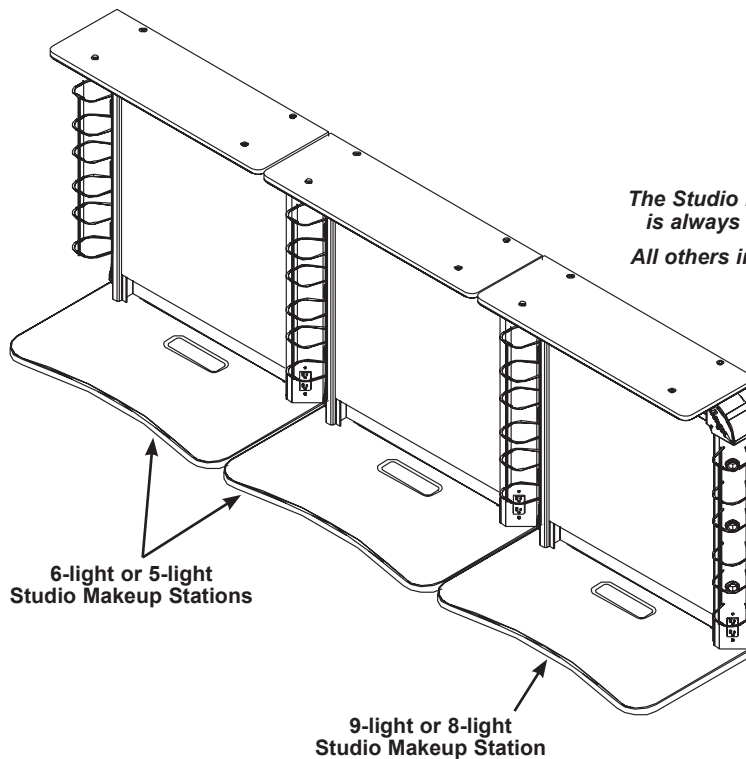
The Studio Makeup Station is intended to provide the necessary elements to apply makeup or create special visual effects. It has the following features.

1. Lighting that is bright and untainted in color.
2. Electrical outlets for makeup appliances.
3. A large mirror.
4. A storage shelf that also is a light diffuser.
5. A counter with ample elbow room and a light-diffusing surface.
6. A tackboard (36" Models only) for makeup design renderings, schedules, etc.



**9-light Studio Makeup Station**

The Studio Makeup Station can be installed as a single unit or in a row of two or more stations. Each station, whether a single unit or a row, has the features outlined above.



*The Studio Makeup Station on the right is always a 9-light or 8-light station. All others in a row are 6-light or 5-light stations.*

## User Instructions (continued)

### Lighting

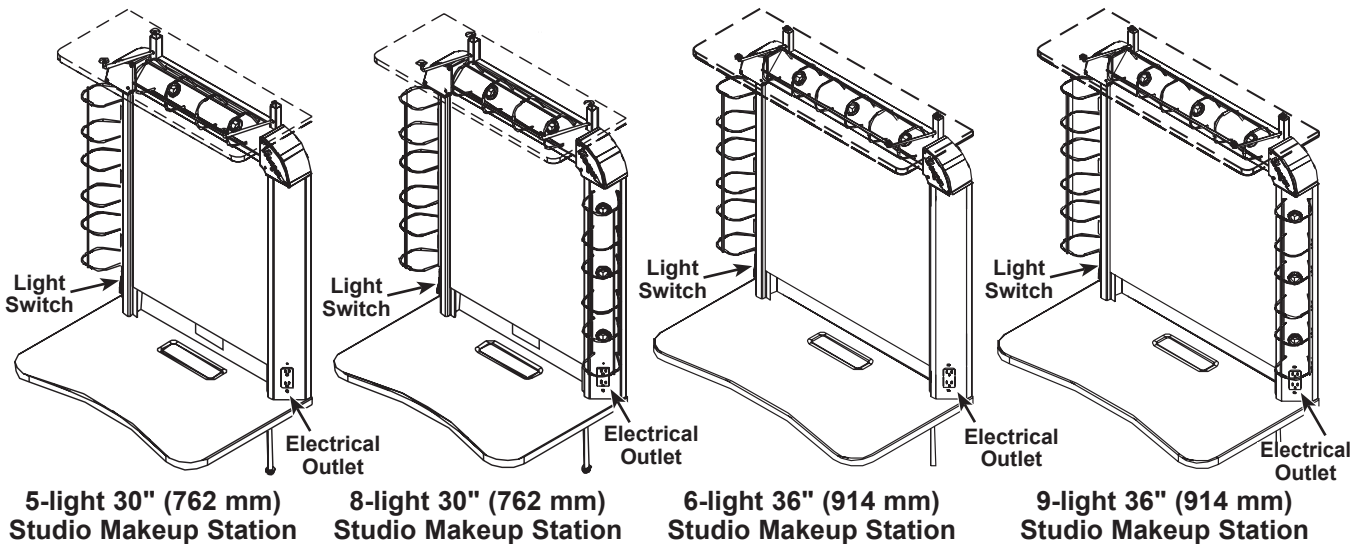
Light bulbs are not supplied with the Studio Makeup Station. The end user should choose the light bulb that is best suited for the makeup station use. For accurate color rendering, Wenger Corporation recommends either of the following.

- GE Reveal® 60 watt or GE Reveal® 40 watt incandescent bulbs
- Full-spectrum, 15-watt, swirl fluorescent bulbs

### **⚠ WARNING**

**Never use bulbs larger than 60 watts. The electrical circuitry is designed for 60 watt bulbs. Using larger sizes may cause overheating of components or cause other problems that can result in fire, electric shock, injury or damage to property.**

- Each 9-light Studio Makeup Station has nine lights, three on the right, three on the top and three on the left side. The light switch on the lower left of the mirror turns the lights on and off.
- Each 8-light Studio Makeup Station has eight lights, three on the right, two on the top and three on the left side. The light switch on the lower left of the mirror turns the lights on and off.
- Each 6-light Studio Makeup Station has six lights, three on the left and three on the top. The light switch on the lower left of the mirror turns the lights on and off.
- Each 5-light Studio Makeup Station has five lights, three on the left and two on the top. The light switch on the lower left of the mirror turns the lights on and off.
- When a 9-light Studio Makeup Station and a 6-light Studio Makeup Station are adjacent to each other, they share the 9-light Studio Makeup Station left column of lights.



### **⚠ WARNING**

**Never use bulbs larger than 60 watts. Fire, damage to property or injury can result.**

### **⚠ WARNING**

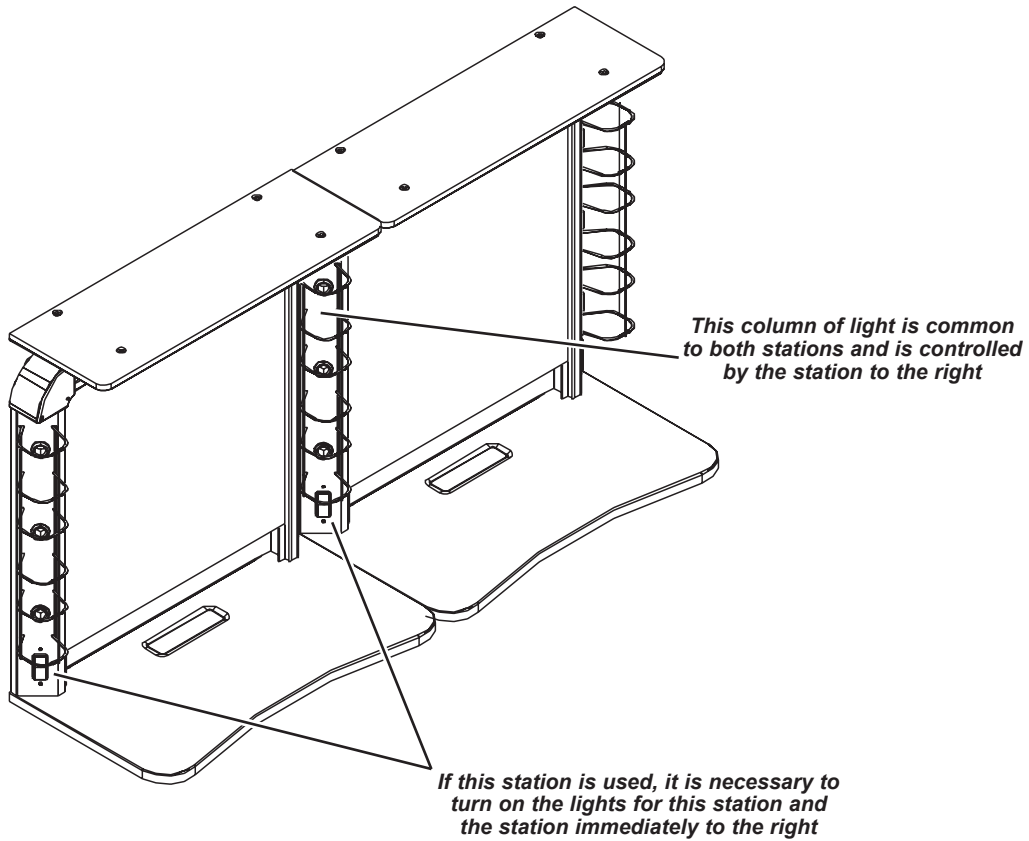
**Never hang clothes, wigs, etc. from the wire cages. Fire or damage to property can result.**

## ***User Instructions (continued)***

---

### ***Lighting (continued)***

When two or more stations are installed in a row, only the station on the extreme right side has a switch that controls all lights. The light switch on stations to the left controls only the top row and left column of lights. If a station to the left is used, it is necessary to turn on the lights for that station and the station immediately to the right.



## User Instructions (continued)

### Electric Receptacle

An electrical duplex receptacle is located on the lower right of the mirror on each makeup station.

- Appliances used to apply makeup can plug into this receptacle.
- This receptacle has ground fault circuit interrupter for shock protection.

#### **⚠ WARNING**

*Never plug appliances into the receptacle that will exceed the current capacity of the branch circuit. Overloading may cause a power interruption.*

#### **⚠ WARNING**

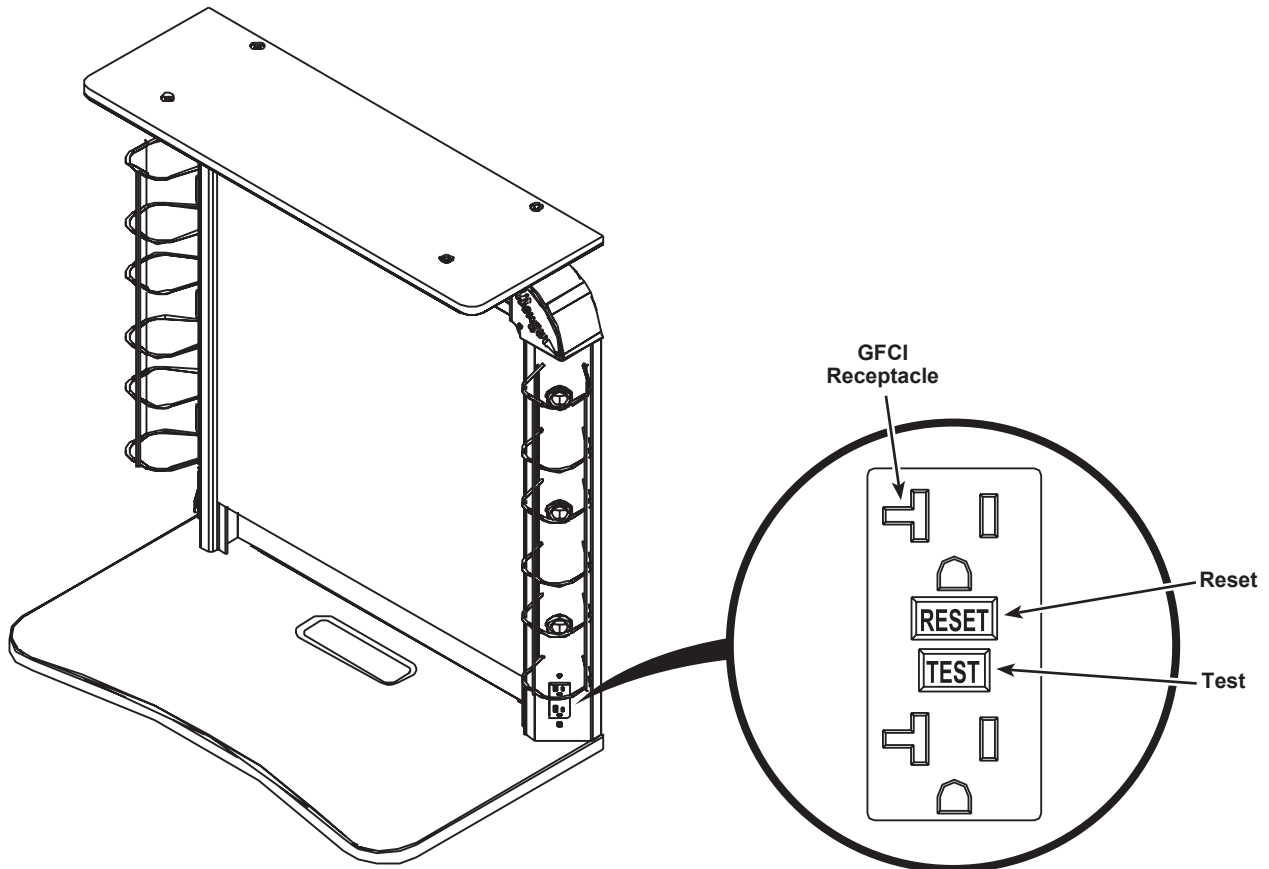
*Never plug a device with faulty wiring into either of the two receptacle outlets.*

#### **⚠ WARNING**

*Never plug appliances into the receptacle that will exceed the current capacity of the branch circuit. Overloading may cause a power interruption.*

#### **⚠ CAUTION**

*Test the GFCI receptacle every 30 days. Refer to "GFCI Test".*





## **User Instructions (continued)**

---

### **Mirror**

The Studio Makeup Station mirror is shatter-resistant and shatter-controlled. *It is not unbreakable.*

#### **⚠ WARNING**

*Never strike the mirror with hard, heavy objects. Never handle a broken mirror with bare hands. Always have a qualified worker remove a broken mirror immediately.*

#### **NOTICE**

*Refer to "Broken Mirror Replacement" for instructions regarding replacing a broken mirror or contact Wenger Corporation.*

### **Counter**

- The counter surface is matte white for light diffusion and is mar and stain resistant. The surface can withstand the operating temperatures typical of the dressing room environment.
- The counter will support loads up to 75 lb (34 kg).
- Refer to the maintenance section regarding cleaning the counter surface.

#### **⚠ CAUTION**

*Never put paint or nail polish on the counter surface. Permanent damage can occur. If these or similar materials are spilled on the counter surface, contact Wenger Corporation for specific recommendations.*

#### **⚠ CAUTION**

*Never drag sharp tools or other objects across the counter surface. Permanent damage such as deep scratches can occur.*

#### **⚠ WARNING**

*To reduce the risk of fire, smoke, or injury to persons, observe the following warnings.*

- *Never leave a hair dryer operating on the counter for more than a few seconds.*
- *Never lay a hot iron (curling, flattening, crimping, etc.) directly on the counter surface.*
- *Never place cooking appliances such as a hot plate, crockpot, or a coffee machine on the counter.*
- *Never lay cigarettes, cigars, or smoking pipes on the counter surface.*
- *Never sit or climb on the counter.*

## ***User Instructions (continued)***

---

### ***Storage Shelf***

The shelf is suitable for storage of wigs, hats, makeup kits, etc.

- The shelf surface is matte white for light diffusion and is mar and stain resistant. The surface can withstand the operating temperatures typical of the dressing room environment.
- The shelf will support loads up to 25 lb (11 kg).
- Refer to the maintenance section regarding cleaning the shelf surface.

### **WARNING**

***To reduce the risk of fire, smoke, or injury to persons, observe the following warnings.***

- ***Never leave a hair dryer operating on the shelf for more than a few seconds.***
- ***Never lay a hot iron (curling, flattening, crimping, etc.) Directly on the shelf surface.***
- ***Never place cooking appliances such as a hot plate, crockpot, or a coffee machine on the shelf.***
- ***Never lay cigarettes, cigars, or smoking pipes on the shelf surface.***
- ***Never overload the shelf or stack items that might fall and cause injury.***
- ***Never use bulbs larger than 60 watts.***

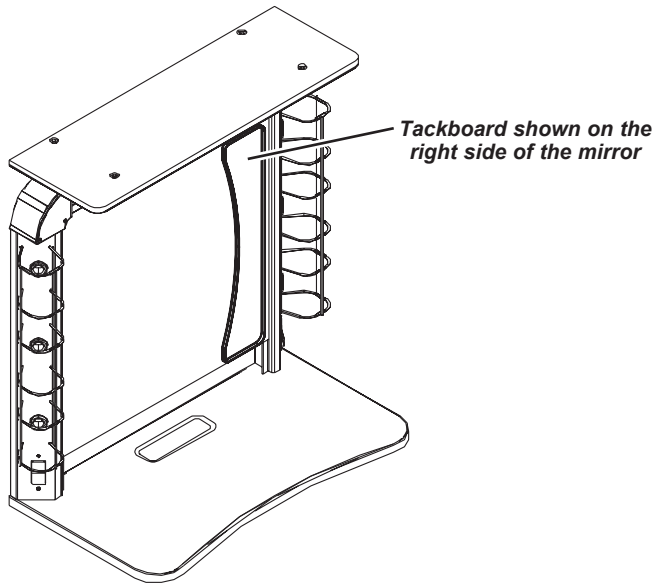
## ***User Instructions (continued)***

---

### **Tackboard 36" (914 mm) Model Only**

The tackboard is shipped separately with each 36" (914 mm) model Studio Makeup Station.

- Most actors will find a tackboard useful for posting pictures, schedules, etc.
- The tackboard may be applied to the mirror surface on either side, top or bottom. Wenger Corporation recommends installation at the side of the mirror.



To install the tackboard, do as follows.

1. Remove the tackboard from its package.  
***Do not remove the protective backing from the mounting tape at this time.***
2. Decide where the tackboard will be mounted.
3. Remove the protective backing from the mounting tape.
4. Carefully position the tackboard on the mirror surface and press firmly.  
Don't let the exposed tape touch the mirror until the tackboard is in the desired position.

### **⚠ CAUTION**

***Do not pound on the tackboard.  
Breakage of the mirror can occur.***

### **Accessories**

The following accessories are only available for the 36" (914 mm) model Studio makeup station.

- **Storage Cubby** – an open cubby attaches below the counter on the right hand side. The storage volume is 8" wide x 7" high x 15" deep (203 x 179 x 381 mm).
- **Drawer Unit** – a closed drawer (not equipped with a lock) attaches below the counter on the right hand side. It has drawer glides for smooth operation and a storage volume similar to the storage cubby described above.

# Maintenance

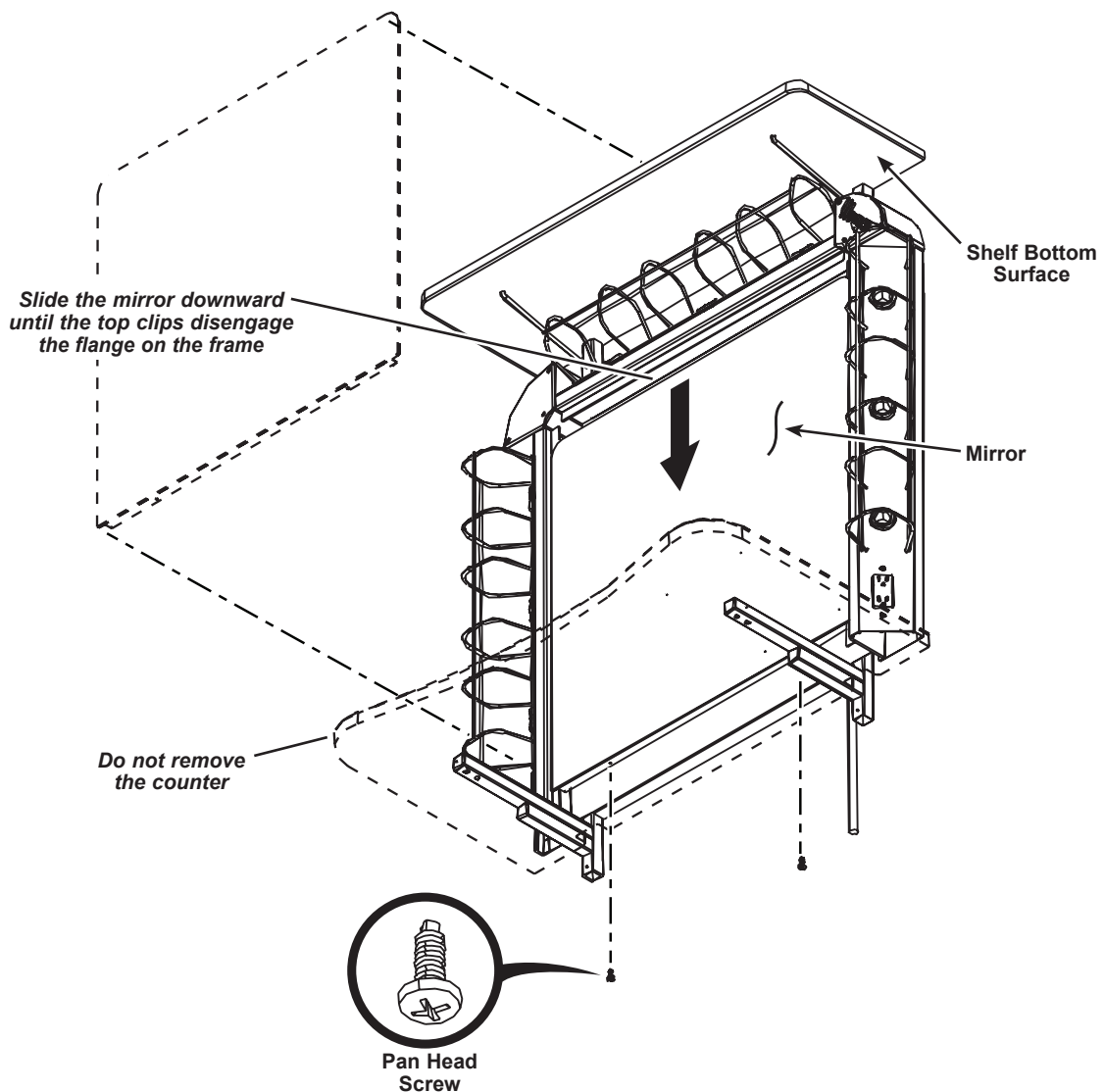
## Broken Mirror Replacement

To replace a damaged mirror, do the following.

1. Remove the broken mirror as follows.
  - a. With one person (wearing work gloves) holding the mirror in place and a second person using a short phillips screwdriver, remove the two pan head screws that hold the mirror in place. Set the screws aside.
  - b. Using work gloves, slide the broken mirror downward about one inch and then lift the mirror away from the Station and set it aside.

### CAUTION

- *Take care in removing the old mirror, two people must work together.*
- *Always wear heavy work gloves and safety glasses*
- *Dispose of the broken mirror in a safe manner.*
- *To avoid exposing electrical wiring, do not remove the counter when replacing a broken mirror.*



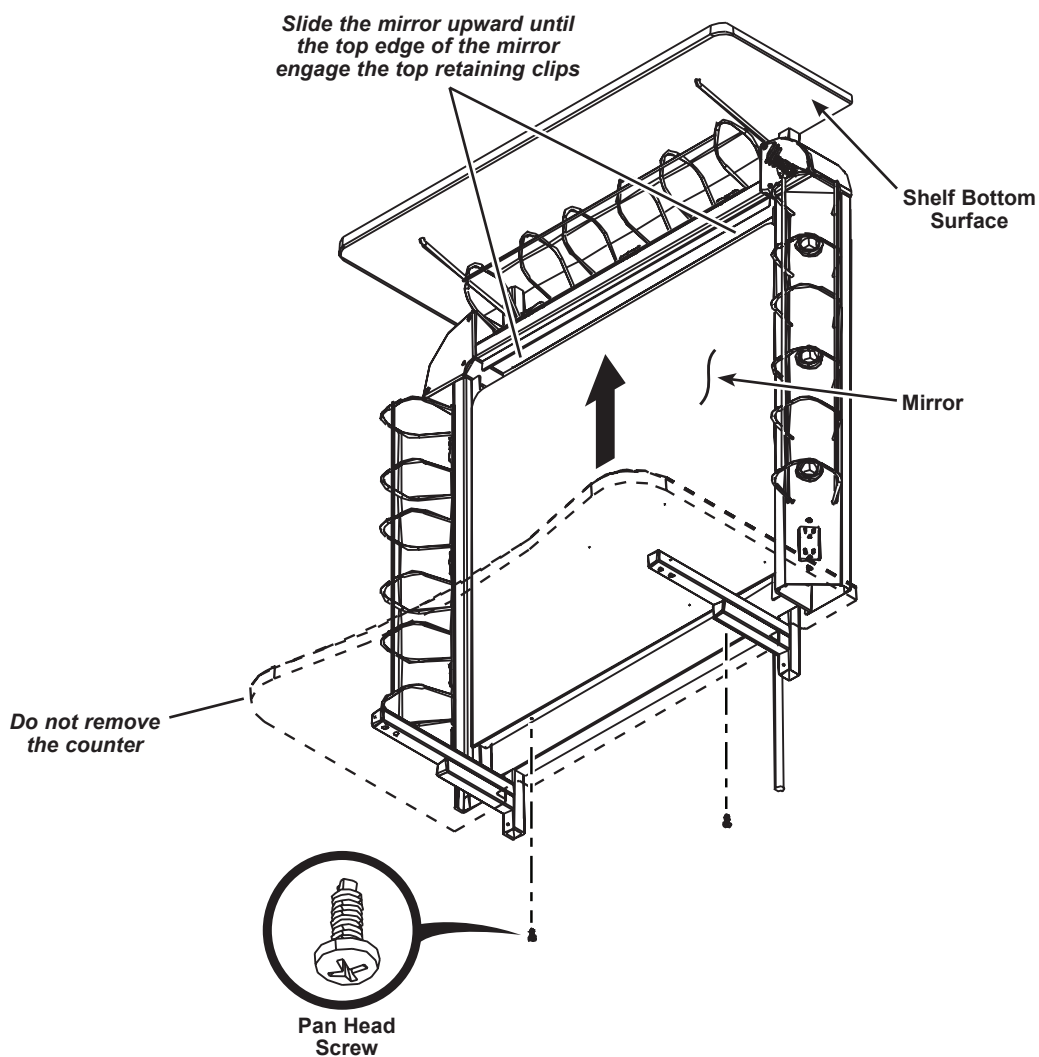
## Maintenance (continued)

### Mirror Replacement (continued)

2. Install the new mirror as follows.
  - a. With two people working together, place the mirror against the frame with mirror flange at the bottom and the top of the mirror about an inch from the top .
  - b. Slide the mirror upward until the mirror flange contacts the frame and the top clips engage the frame.
  - c. With one person holding the mirror in place, attach the two pan head screws with a short phillips screw driver (set aside when the broken mirror was removed from the frame)

### **CAUTION**

Two people must work together to install the new mirror to avoid damage (dropping).



## **Maintenance (continued)**

---

### **GFCI Test**

Every 30 days test the GFCI receptacle as follows.

1. Push the **RESET** push button on the receptacle.
2. Plug a night-light into one of the outlets and turn the night-light on. The bulb should turn on.
3. Push the **TEST** push button on the receptacle.  
**The night-light should go off. If it does not, the receptacle is faulty.**
4. Push the **RESET** push button. The night-light should turn on.  
**If it does not, the receptacle is faulty.**
5. If the GFCI receptacle fails the test, have a licensed electrician replace the receptacle with another GFCI receptacle with the same specification.

### **Lighting**

1. Always replace burned out or broken bulbs with the bulbs recommended in "Lighting".

#### **⚠ CAUTION**

***Always turn the light switch off before replacing bulbs. Never use bulbs larger than 60 watts. Always wear gloves when removing a broken bulb.***

### **Cleaning**

1. Use a soft cotton cloth and a mild detergent to clean the counter and shelf.
2. Avoid using harsh, abrasive detergents on the counter and shelf.  
Difficult stains such as wine or mustard can be removed with a non-abrasive bathtub cleaner.

#### **⚠ CAUTION**

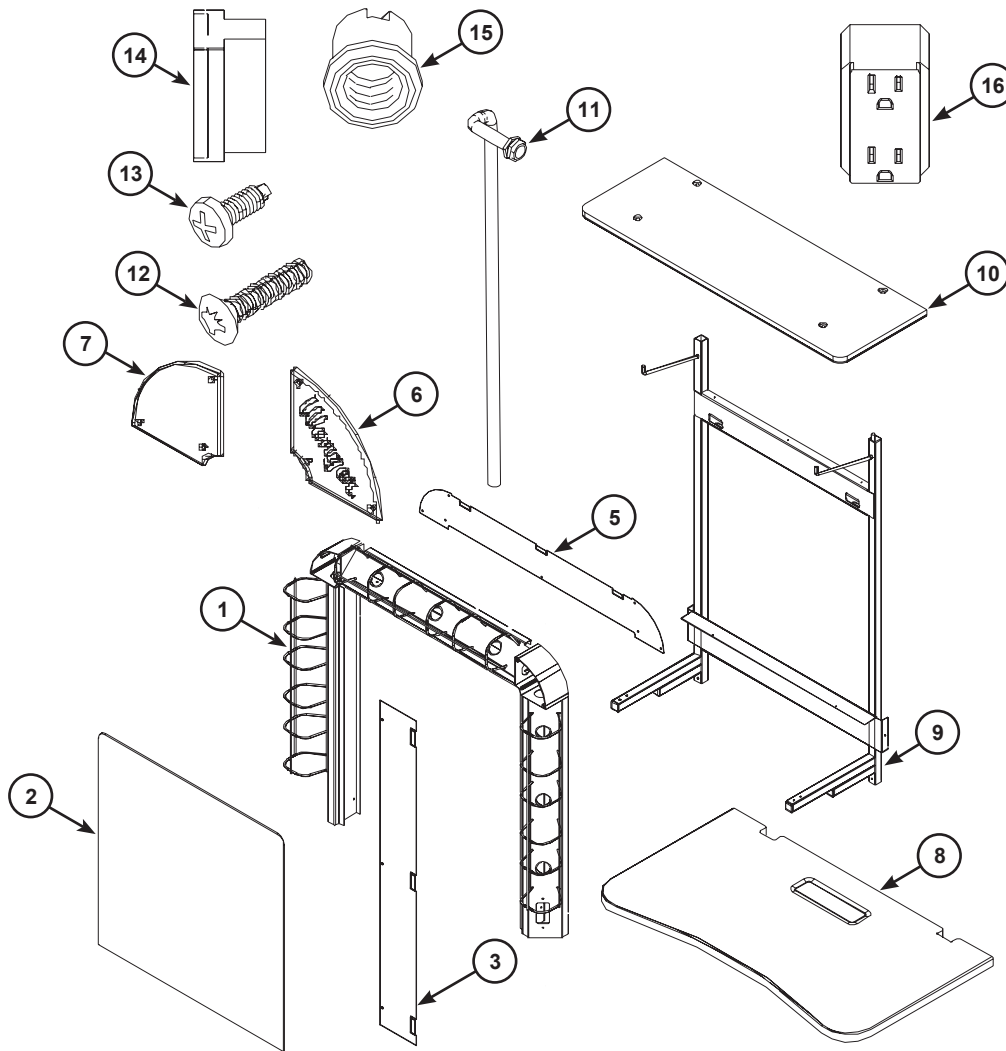
***Never pour, spray, or splash liquids near the receptacle outlets.***

3. Clean the mirror with a clean soft cotton cloth and a glass cleaner.
4. To clean residue or dust from bulbs, do as follows.
  - a. Turn the lights off and allow the bulbs to cool.
  - b. Carefully remove the bulbs from the sockets.
  - c. Clean the bulbs with a dampened cloth.
  - d. Reinstall the bulbs.

# Replacement Parts

## Studio Makeup Station Main Assembly

Item	Description	Item	Description
1*	Studio Mirror Surround Assembly	10*	Studio Shelf
2*	Studio Mirror Assembly	11	3/8" Screw-in Connector/ Flex Conduit
3	Studio Side Raceway Cover	12	8-32 x 3/4" Phillips Oval Head Screw
4	(blank item)	13	6-32 x 1/2" Phillips Truss Head Screw
5*	Studio Top Raceway Cover	14	120VAC 15 Amp Rocker Switch
6	Corner Cover with logo	15	Snap-in Lamp Holder
7	Plain Corner Cover	16	20 Amp GFCI Outlet Receptacle
8*	Studio Counter	*Specify 9-light, 8-light, 6-light, or 5-light model.	
9*	Studio Main Frame		



# Replacement Parts (continued)

## Studio Makeup Station Additional Parts

Item	Description
1*	Wall Mounting Bracket
2	Tackboard Assembly (36" Model only)
3	Bottom Frame Clip
4	1/4-14 x 3/4" Self-drilling Screw
5	#10 x 3/4" Phillips Head Sheet Metal Screw
6	3/8-16 Flange Nut

\*Specify 36" (914 mm) or 30" (762 mm) model.

